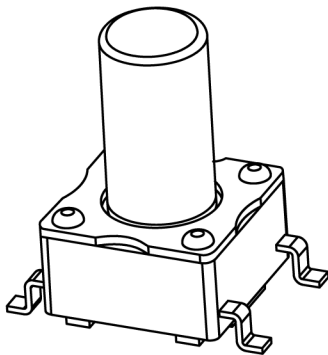
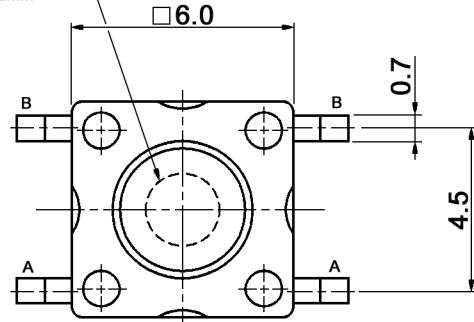


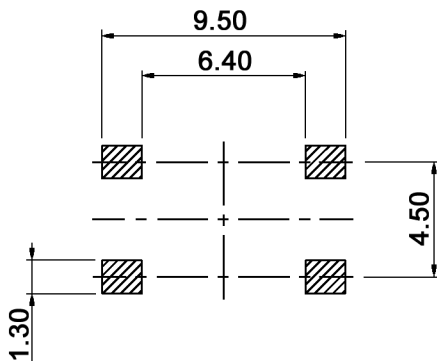
4x **A** common tolerances zone  
 $\square \pm 0.1$



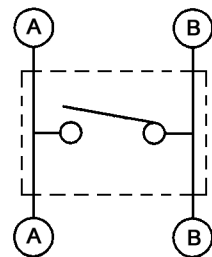
RECOMMEND OPERATING AREA  $\varnothing 2\text{mm}$



P.C.B. LAYOUT



CIRCUIT DIAGRAM



Compliance: RohS III (2015/863/EU)

Tolerances: up to 10: $\pm 0.2\text{mm}$ above 10-50: $\pm 0.3\text{mm}$		Date	Name
		03/07	dr
Actuator	02/21	dr	
Rename	06/15	dr	
Rename	03/15	dr	
Dimension	09/09	dr	
Operating temperature	07/08	dr	
Modifications	Date	Name	

**TSS 65 x**

**30 10 88**

Page

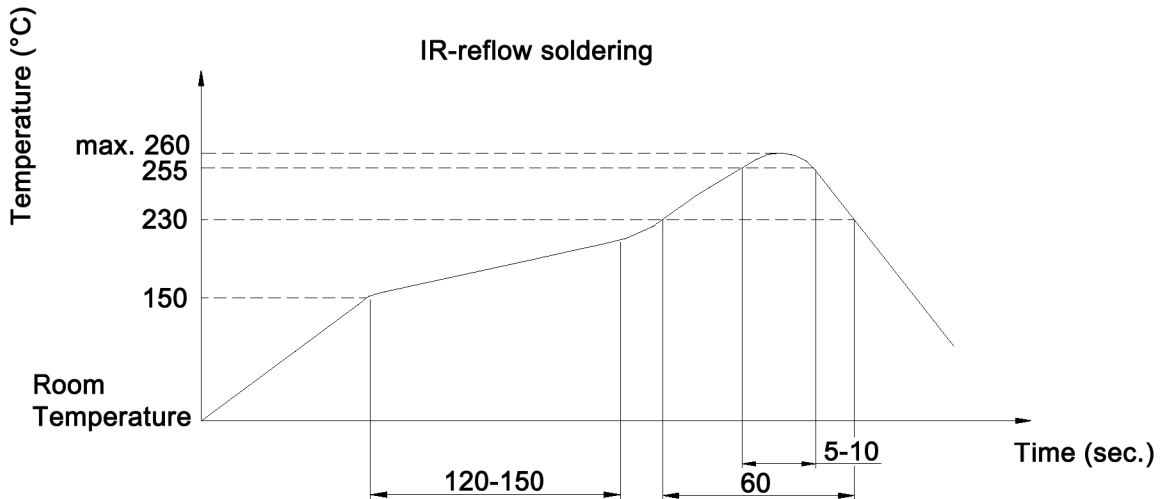
1/3

**knitter-switch**

**Specifications:**

**Contact rating:** 50mA, 12V DC  
**Contact resistance:** 100mOhm max.  
**Insulation resistance:** 100MOhm min. at 500V DC for 1 minute  
**Dielectric strength:** 250V AC (50/60Hz) for 1 minute  
**Operating temperature:** -40°C to +85°C  
**Storage temperature:** -40°C to +85°C  
**Material:** Stem: high-temp. thermoplastic UL94V-0  
 Base: high-temp. thermoplastic UL94V-0  
 Contact: phosphor bronze, silver plated  
 Terminals: brass, silver plated  
 Cover: stainless steel

**Soldering conditions:**

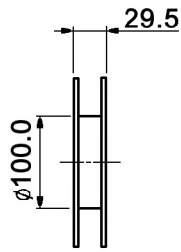
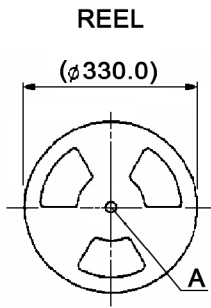


x	Operating force	Mechanical life	Stem color
N	160 +/-50 gf	150 000 cycles	brown
R	250 +/-70 gf	150 000 cycles	red
S	320 +/-70 gf	100 000 cycles	salmon
Y	520 +/-130 gf	50 000 cycles	yellow

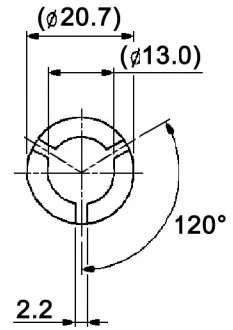
Compliance: RohS III (2015/863/EU)

Tolerances: up to 10: ±0.2mm above 10-50: ±0.3mm		Date	Name	<h1>TSS 65 x</h1>
		03/07	dr	
Actuator	02/21	dr		
Rename	06/15	dr		
Rename	03/15	dr		<h1>30 10 88</h1>
Dimension	09/09	dr	<b>knitter-switch</b>	
Operating temperature	07/08	dr		Page
Modifications	Date	Name		2/3

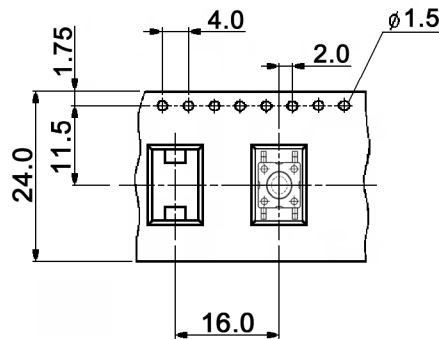
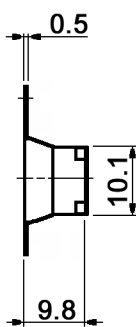
Packaging:



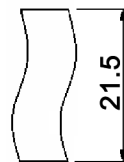
"A" DETAIL



CARRIER TAPE



COVER TAPE



Packaging unit: 380 pcs. / reel  
 Compliance: RohS III (2015/863/EU)

Tolerances: up to 10: $\pm 0.2\text{mm}$ above 10-50: $\pm 0.3\text{mm}$		Date	Name
		03/07	dr
Actuator	02/21	dr	
Rename	06/15	dr	
Rename	03/15	dr	
Dimension	09/09	dr	
Operating temperature	07/08	dr	
Modifications	Date	Name	

**TSS 65 x**

**30 10 88**

Page

3/3